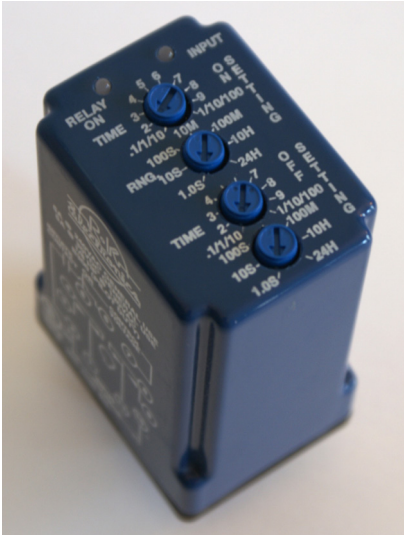


# TDR-0001 On Delay / Off Delay Timer



- 24 to 240VAC/VDC (Universal Voltage)
- On Delay /Off Delay
- Time ranges up to 24 hrs
- Adjustment Knobs
- Plug-In Package
- DPDT Contacts
- Status LEDs

Listed  
42L2



## Specifications

### Electrical

**Supply Voltage:** 24 to 240VAC/VDC

**Frequency:** 50 to 400Hz

**Functions:** On Delay / Off delay

**Time Ranges:** 0.1Sec. up to 24 Hrs.

### Fine Adjustment Pot:

**On Top:** Adjusts within Range

**Power Consumption:** 1.5VA

**Indicators:** 2 LEDs

### Output Rating @ 25°C:

5 Amps @ 250VAC (General Purpose)

1/8 HP @ 120VAC

5 Amps @ 30VDC

B300 (Pilot Duty)

360 VA

3 Amps @ 120VAC

1.5 Amps @ 240VAC

### Physical

**Mounting:** Plug-In

**Termination:** 11 Pin

**Packaging:** Dust Cover

**Weight:** 8.5 Oz. Approx.

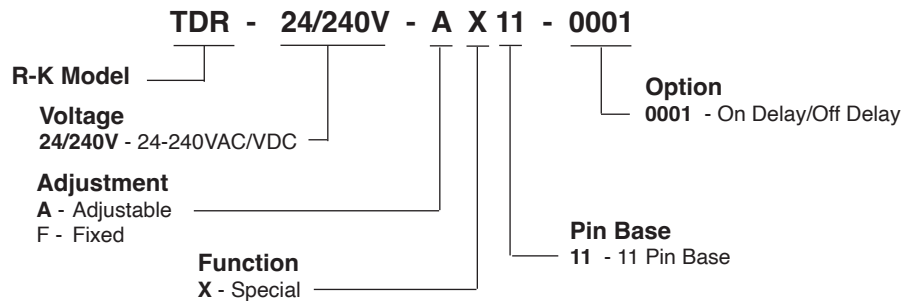
### Ambient Temperatures

**Operating:** 0°C to 65°C

**Storage:** -40°C to 85°C

**Must be used with UL approved socket to satisfy UL Listing.**

## Ordering Information



**Part number includes socket and holddown.**

## Operation

The TDR-0001 allows you to have an external switch controlled On Delay / Off Delay Function.

On Delay timing is selected by the top two knobs and the Off Delay time is selected by the lower two knobs.

With the supply voltage present, when the external contact input closes, the On Delay timing begins. At the end of the On Time the internal relay energizes. The internal relay remains energized, even when the external contact opens, initiating the Off Delay timing. At the end of the Off Delay timing the internal relay de-energizes.

Opening the external contact before the On Delay time has timed out, resets the On time and the internal relay remains de-energized. Re-closing the external contact before the Off Delay time has timed out, resets the Off time and the relay remains energized.

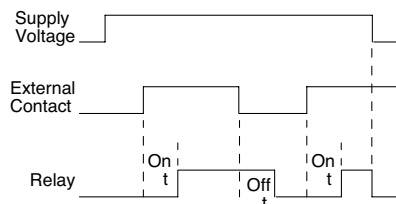
Removal of Supply voltage resets the timer, whether it has completed the timing sequence or not.

Relay LED: Red-De-energized

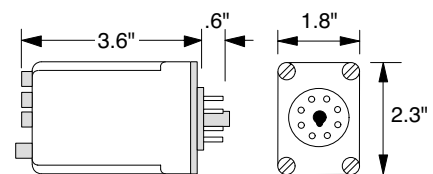
Green-Energized

Input LED: Red-No Input Signal

Green-Closed Input



## Dimensions



## Connections

